

A GUIDE TO MEETING OR EXCEEDING THE BUSHFIRE CODE

In response to Victoria's devastating bushfires, the Victorian Government has introduced a new residential building standard.

The following will assist in designing and building, to meet or exceed the new regulations.

BUSHFIRE ATTACK LEVELS AND CORRESPONDING CONSTRUCTION SECTIONS WITHIN THE NEW BUILDING STANDARD*	
Bushfire Attack Level (BAL)	Description of predicted bushfire attack and levels of exposure
BAL - LOW	There is insufficient risk to warrant specific construction requirements
BAL - 12.5	Ember attack
BAL - 19	Increasing levels of ember attack and burning debris ignited by windborne embers together with increasing heat flux between 12.5 and 19 kW m ²
BAL - 29	Increasing levels of ember attack and burning debris ignited by windborne embers together with increasing heat flux between 19 and 29 kW m ²
BAL - 40	Increasing levels of ember attack and burning debris ignited by windborne embers together with increasing heat flux with the likelihood of exposure to flames
BAL - FZ	Direct exposure to flames from fire front in addition to heat flux and ember attack

* **Source:** Building in Victoria after the bushfires

The following products and systems may be used to meet or exceed the requirements of each BAL:

BAL-12.5

FLOORS

- No special construction requirements

EXTERNAL WALLS

- Cladding Sheet 6mm
- Texture Base Sheet 7.5mm
- Cladding Plank 7.5mm
- RendaLine 8mm
- Residential ExpressWall 8mm with sarking
- Scarborough Weatherboards 12mm
- SEE FIG D1

EAVES

- Eaves Lining 4.5mm

VERANDAS, DECKS

- Compressed Sheet 15mm or 18mm
- SEE FIG D2

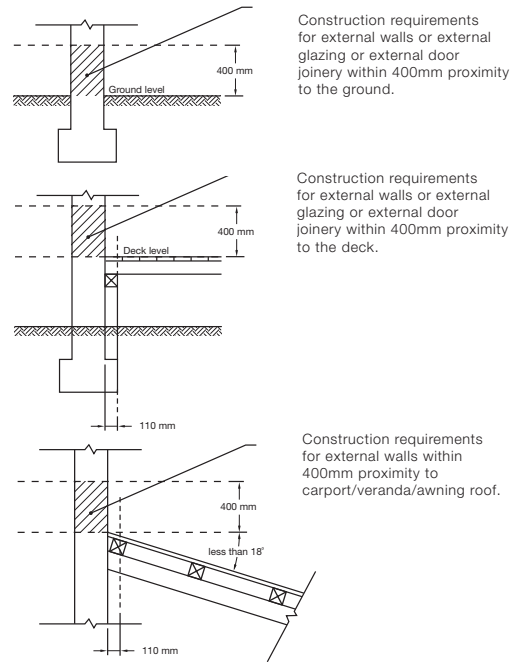


FIGURE D1 EXTERNAL WALLS OR EXTERNAL GLAZING, OR EXTERNAL DOORFRAMES WITHIN LIMITS ABOVE GROUND, DECKS, CARPORT ROOFS

BAL-19

FLOORS

- No special construction requirements

EXTERNAL WALLS

- Cladding Sheet 6mm
- Texture Base Sheet 7.5mm
- Cladding Plank 7.5mm
- RendaLine 8mm
- Residential ExpressWall 8mm with sarking
- Scarborough Weatherboards 12mm
- SEE FIG D1

EAVES

- Eaves Lining 4.5mm

VERANDAS, DECKS

- Compressed Sheet 15mm or 18mm
- SEE FIG D2

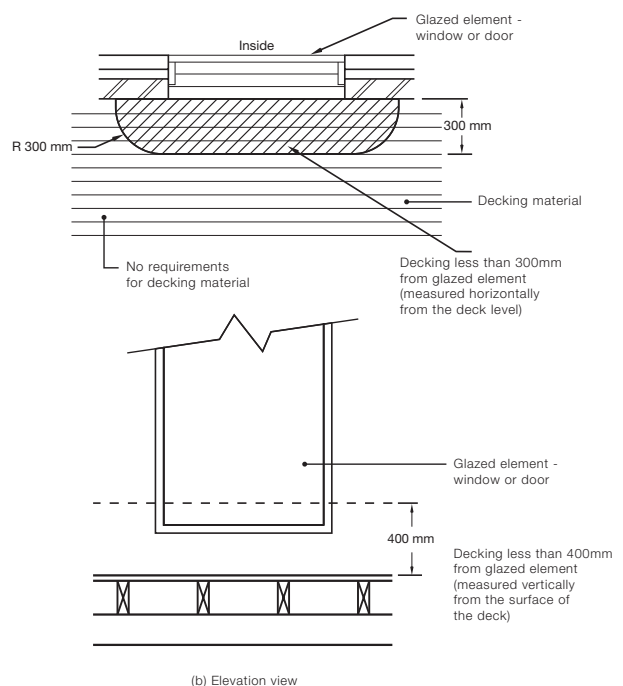


FIGURE D2 DECKING WITHIN HORIZONTAL AND VERTICAL LIMITS OF GLAZED ELEMENTS

BAL-29

FLOORS

- Underside lined with 6mm Cladding Sheet where any element is less than 400mm above ground level.

EXTERNAL WALLS

All external walls must have sarking.

- Cladding Sheet 6mm
- Texture Base Sheet 7.5mm
- Cladding Plank 7.5mm
- RendaLine 8mm
- Residential ExpressWall 8mm
- Scarborough Weatherboards 12mm

EAVES

- Eaves Lining 4.5mm

VERANDAS, DECKS

- Compressed sheet 15mm or 18mm



BAL-40

FLOORS

- Underside lined with Cladding Sheet 6mm

EXTERNAL WALLS

All external walls must have sarking.

- Commercial ExpressWall 9mm
- Scarborough Weatherboards 12mm

EAVES

- Cladding Sheet 6mm

VERANDAS, DECKS

- Compressed sheet 15mm or 18mm



BAL-FZ FLAMEZONE

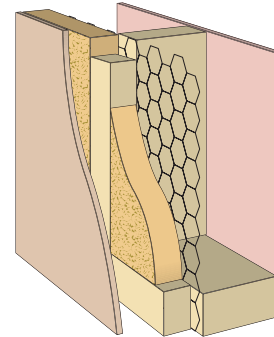
FLOORS

- 16mm FyrcekMR for underside of flooring system with Cladding Sheet 6mm **or**
- 13mm FyrcekMR with steel sheet protection

EXTERNAL WALLS

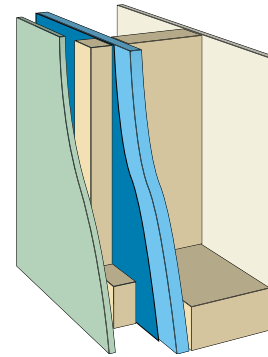
CSR System 697: FRL 60/60/60

- RendaLine 8mm
- 25mm Bradford Fibretex 450 sarking
- Wire Mesh
- 10mm Gyprock plasterboard



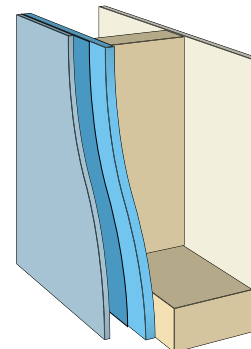
CSR System 900: FRL 60/60/60

- Any Cemintel™ Cladding (eg. Scarborough, Headland or Endeavour)
- Sarking
- 16mm FyrcheckMR
- 10mm Gyprock plasterboard



CSR System 902: FRL 60/60/60

- Texture Base Sheet 7.5mm
- Sarking
- 13mm FyrcheckMR
- 10mm Gyprock plasterboard



VERANDAS, DECKS

- Compressed sheet 15mm or 18mm